

**Product Overview:** Made from toughened glass, the AKW mirror is ideal for use in public bathrooms.

- Features:**
- Manufactured from toughened glass
  - Adhesive backing sheet for added safety

- Benefits:**
- High colour contrast blue border for the visually impaired

**Certification:**

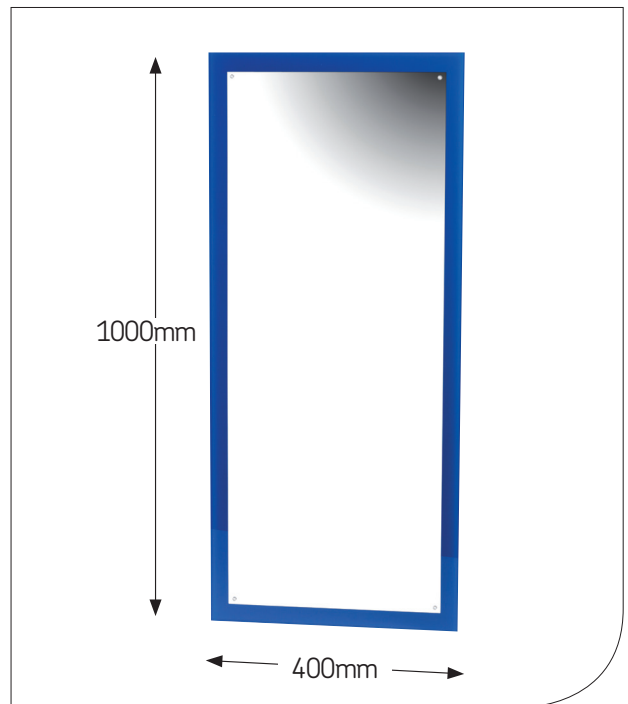


**Product Specification:**

- 4 pre drilled fixing holes
- 1000mm high x 400mm wide



**Dimensions:**



**Product Codes:**

Codes	Description
23147	Mirror

\* The lifetime warranty excludes normal wear and tear in general domestic applications. It applies only to products being installed for the first time and according to relevant local and national regulations.