

Product Overview

The Wireless Pump Module connects AKW SmartCare Plus® and SmartCare® Lever electric showers to the AKW M11, M17 and M20 DigiPumps® by receiving information from the shower and transmitting it to the pump.

The wireless module comes with a PCB that is plugged into the heater unit, wirelessly connecting the shower to the pump. Our range of DigiPumps® enable waste drainage where gravity drainage isn't achievable, with the wireless module removing the need to feed wires behind existing tiling or wall panels.



Features

- + External wireless communication device compatible with AKW SmartCare Plus® and SmartCare® Lever electric showers
- + Compatible with all AKW DigiPumps®: M11, M17, M20
- + Supplied with matched PCB to connect wireless module to the shower unit
- + Once the wireless module is paired with the shower it will remain connected even if both the shower and pump are isolated from the mains supply
- + The module continually checks the link between the pump and the shower

Benefits

- + Wireless module means no cables are required to connect the pump and shower, providing a quick and easy installation solution when a pump is required to draw water from shower waste as gravity not achievable
- + Pumps are available with different capacities to support the volume of water flow; all are compatible with the wireless module
- + Fit and forget set up, no need to re-pair shower and pump if power is disrupted
- + If a disconnection occurs between shower and pump, the shower will automatically stop the water flow and the shower on/off ring indicator combined with other indicators (if applicable) will flash

Product Specification

- + Suitable for showers purchased from April 2021 and with version 2 software (contact Technical Support if unsure)

Product Code

AKW Electric Showers Wireless Pump Module

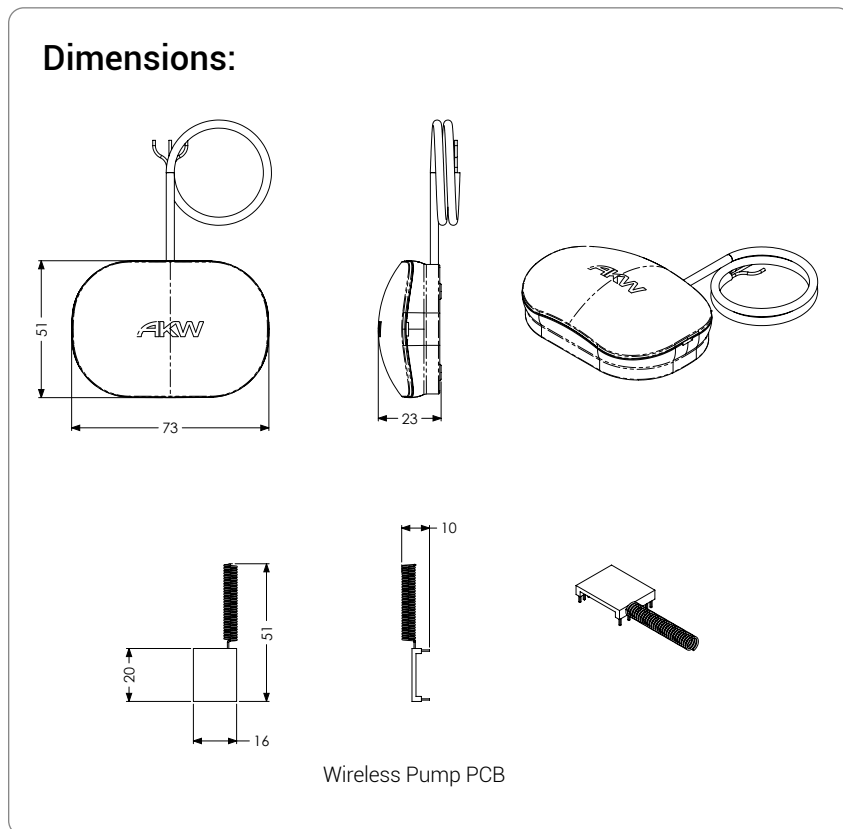
29089

Product Kit Codes:

Wireless pump interface module kit codes

(includes wireless interface, M11 DigiPump® + AKW SmartCare Plus® Electric Shower + Waste)

		AKW SmartCare Plus® Electric Shower		
		10.5kW	9.5kW	8.5kW
Wastes	No waste	29041WH	29042WH	29043WH
	PW50 waste	29032WH	29033WH	29034WH
	PW90 waste	29035WH	29036WH	29037WH
	Screedmaster waste	29038WH	29039WH	29040WH
	Silentflow+ PGTF 22mm	29026WH	29027WH	29028WH



Product Compatibility:

M11 DigiPump®	25470
M17 DigiPump®	25450
M20 DigiPump®	25460
M11 DigiPump® kit without Waste	25471
M11 DigiPump® with Standard 50mm Diameter Chrome Waste	25472
M11 DigiPump® with 90mm Diameter Chrome Waste	25473
M11 DigiPump® with Tuff Form Pumped Waste (PGTF)	25474
M11 DigiPump® with Screedmaster Waste	25475
M11 DigiPump® with Silentflow+ Waste (PGTF)	25476
M17 kit without waste	25451
M17 DigiPump® with Standard 50mm Diameter Chrome Waste	25452
M17 DigiPump® with 90mm Diameter Chrome Waste	25453
M17 DigiPump® with Screedmaster Waste (22mm)	25455
M17 DigiPump® with Silentflow+ Waste (PGTF)	25458
M20 DigiPump® Kit without waste	25481
M20 DigiPump® with Standard 50mm Diameter Chrome Waste	25482
M20 DigiPump® with 90mm Diameter Chrome Waste	25483
M20 DigiPump® with Screedmaster Waste (22mm)	25485
M20 DigiPump® with Silentflow+ Waste (PGTF)	25486
AKW SmartCare Plus® White Silver 10.5kW with silver/white kit	29010WH
AKW SmartCare Plus® White 9.5kW with silver/white kit	29011WH
AKW SmartCare Plus® White 8.5kW with silver/white kit	29012WH
AKW SmartCare® Lever White 9.5kW with silver/white kit	29091WH
AKW SmartCare® Lever White 8.5kW with silver/white kit	29090WH
DigiPump® Auxiliary Pump Switch	25488