



Surveying and Design Services

Surveying Excellence

At the heart of every successful project is careful planning, which is why AKW's specialist Survey Team covers the whole of the UK mainland to complete over 5000 surveys per year.

Our simple three stage survey process:

1

Within 10 working days of receiving instruction, an experienced AKW surveyor will undertake a site survey and take all necessary measurements.

2

Our designs will be based on healthcare professional reports and tenants' specific needs to ensure we fully understand what is required and that we can provide the right technical advice.

3

Within 5 working days of the visit being undertaken, we'll provide a 2D PDF plan (or 3D for kitchens) computer-aided drawing of the new kitchen or bathroom.

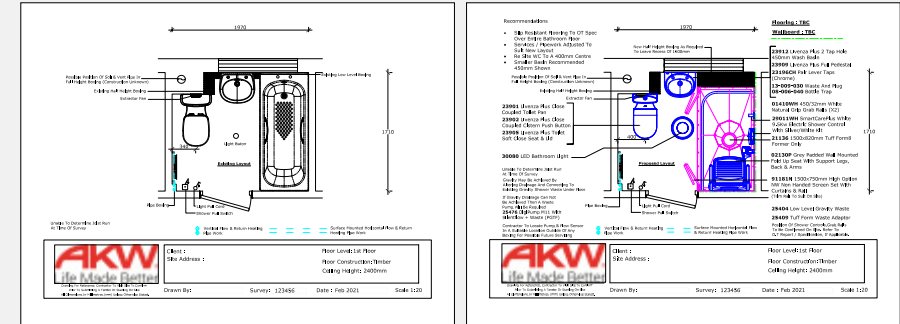
We have a new additional service. You undertake the survey and send us the full dimensions of the bathroom. We will create a drawing to meet your requirements in 4 working days

Safety & security comes first

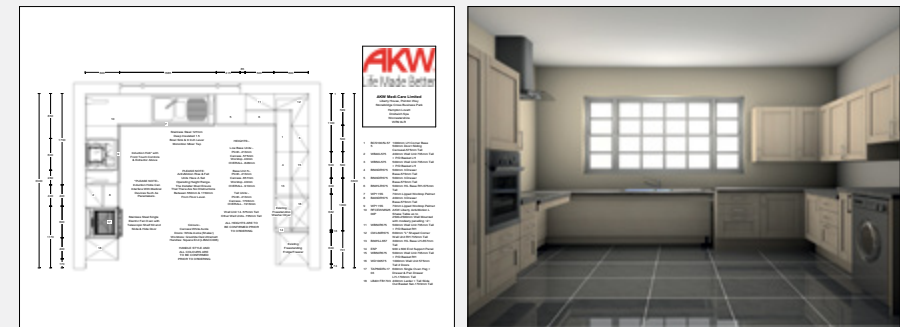
- + All our surveyors use full PPE and follow Risk Assessment & Method statement procedures.
- + All our surveyors carry AKW ID cards with Braille stickers on the back to enable identity confirmation for visually impaired users
- + All our surveyors are DBS checked
- + All our surveyors wear branded AKW work wear to clearly identify them as AKW employees whilst attending properties of potentially vulnerable people



Planning Perfection



- + Existing and proposed drawings if required in PDF format
- + Full details of requirements to achieve adaptations



- + 2D & 3D Kitchen Plans
- + Full details of widths & heights

All of our surveys come with free PDF drawings and itemised quotes or product lists. Why not arrange your next survey with us by calling 01905 823240 or email CSS@akw-ltd.co.uk



From a small Worcestershire business, AKW has grown to become the UK's market leader in providing independent living solutions for older people, the disabled and those with mobility problems. We have over 35 years' experience in providing innovative showering, kitchen and mobility support solutions.

We are passionate about independence and keeping people living in their home for as long as possible. We work with leading Occupational Therapists, healthcare professionals and leading research institutes to design and manufacture a range of products that can meet the needs of end users. We offer a range of over 4,500 products to meet varying needs and support our customers with our own nationwide delivery services, free national surveying service and our customer technical support.



Adapted Bathrooms

- + Market leaders with over 35 years' experience in designing and manufacturing adapted bathrooms
- + AKW work closely with Occupational Therapists and Healthcare professionals, to design and manufacture a full range of easy access showering
- + Extensive product range including care showers, wet room formers, shower trays, sanitary ware, shower screens, grab rails and shower seats



Customer Support Services

- + Dedicated team of maintenance engineers to undertake maintenance visits
- + Our Technical Helpline Team is made up of experienced plumbers and AKW product specialists. If you have a technical enquiry, please call **01905 560219** or email **tech@akw-ltd.co.uk**.