

**Product Overview:** **AKW Cisterns have been designed for use with the AKW toilet pan range. Each comes supplied with a spatula dual flush handle with complete flush mechanism & fill valve.**

**Option One:**

- AKW close coupled cistern, for use with AKW460L & AKW460S toilet pans

**Option Two:**

- AKW low level cistern, for use with raised height back to wall toilet pan

**Features:**

- Screw down lid for added safety & security
- Dual flush 6 & 4 litre for maximum water efficiency
- AKW spatula handle is unique to AKW flush valve mechanism

**Benefits:**

- Attractively manufactured from white vitreous china
- Compliant with AKW close coupled and low level toilet pans (meets Doc M guidelines)
- Non reflective chrome finish spatula flush handle designed for partially sighted users
- Easy to operate mechanism, can be flushed with minimal force by closed fist or elbow



### Guarantee & Certification:

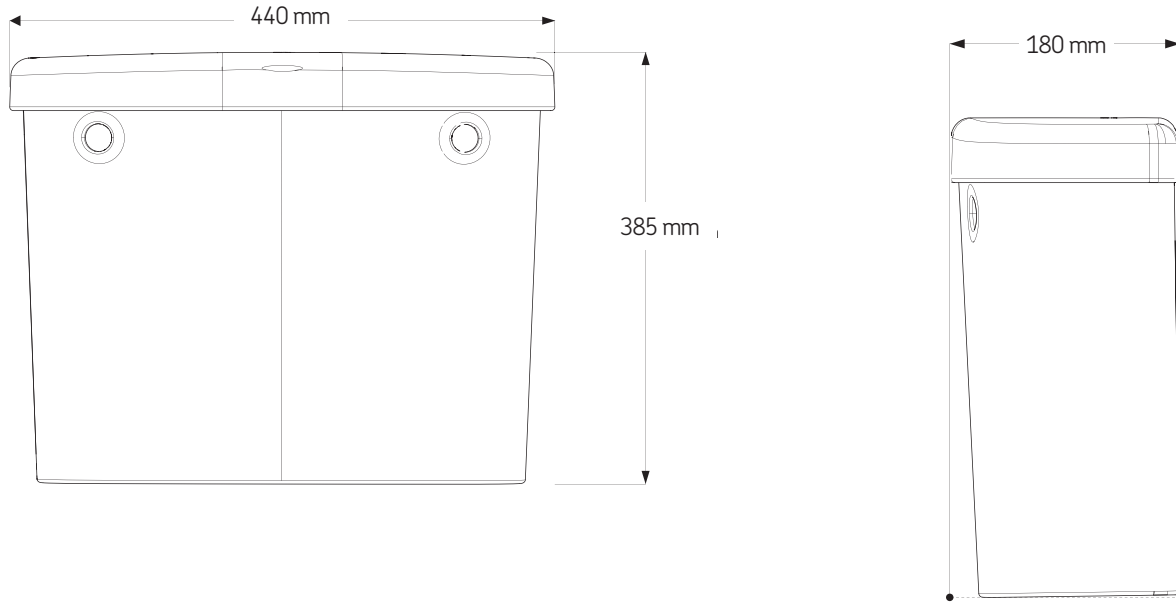


### Product Specification:

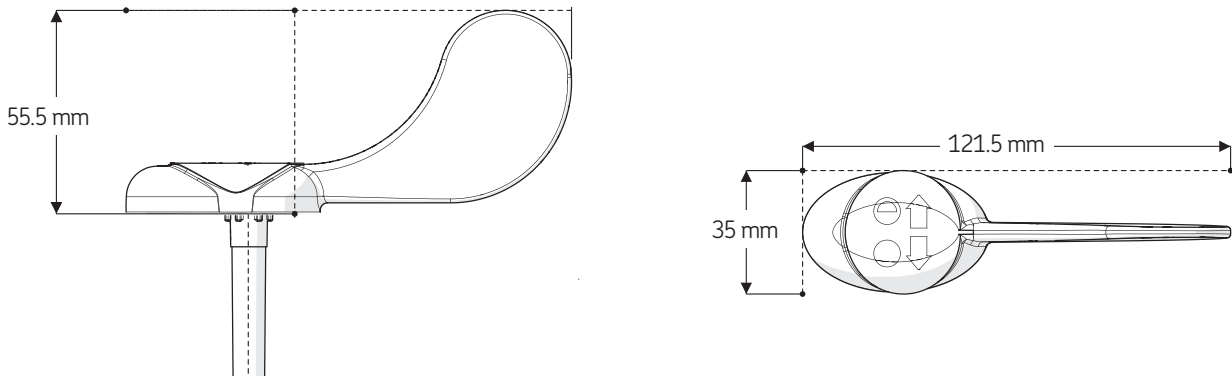
- WRAS approval to EN997 standards
- Non handed fits left or right
- Low level cistern comes complete with a 760 x 305mm flush pipe
- CE Certified
- Conforms to BS EN997

\* The lifetime warranty excludes normal wear and tear in general domestic applications. It applies only to products being installed for the first time and according to relevant local and national regulations.

**Dimensions:**



**Spatula Flush Handle**



**Product Codes:**

Codes	Description
23164	Low Level Cistern (including the flush pipe)
23163	Close Coupled Cistern
23165	Flush Valve and Spatula Flush Handle (spares)