

Product Overview: Can be specified with any Tuff Form[®] wet floor former and for any screeded floor installation in a breachable floor.

- Features:**
- Universal solvent socket joint for vertical or horizontal outlets
 - Can be used with any altro flooring, tiles or screed
 - Tiling adaptor kit available
 - Stainless steel option available
 - Outlet 1½" (43mm) to BS EN 1455-1
 - 40mm pipe adaptor available

- Benefits:**
- Low maintenance & reliable operation
 - Bayonet or screw down waste for easy cleaning & rodding

Certification:



Product Specification:

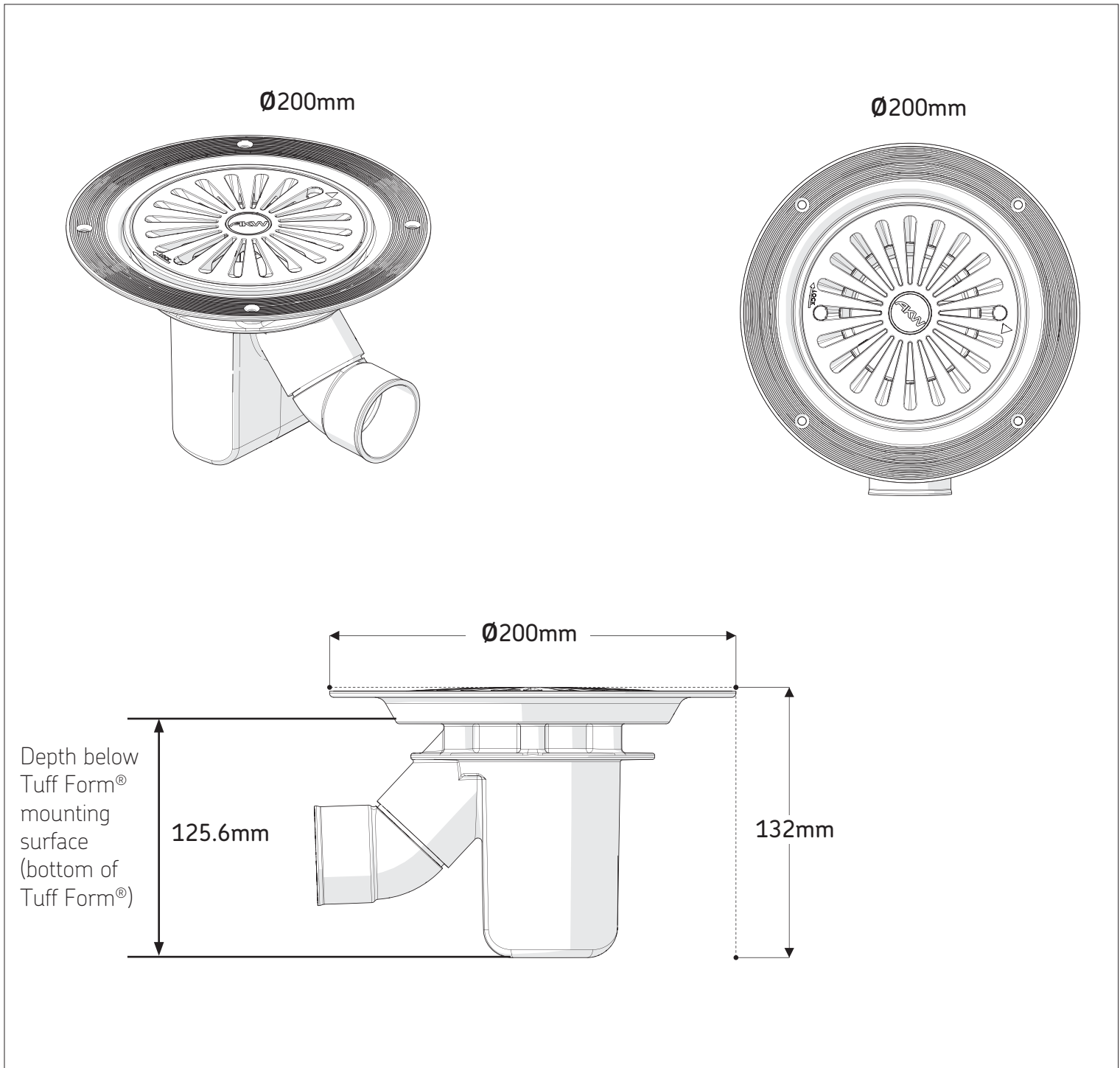
- Made from ABS plastic and nitrile rubber
- 75mm water seal trapped waste for wet floors
- Patented design: GB2402946
- Tested to BS EN 274 Part 2: 2002



Exploded View

* The lifetime warranty excludes normal wear and tear in general applications and in accordance with AKW installation instructions. It applies only to products being installed for the first time and according to relevant local and national regulations.

Dimensions:



Product Codes:

Codes	Description
25106	TF75 Tuff Form [®] Gravity Waste
25411	43mm to 40mm Solvent Pipe Adaptor