

Bluetooth<sup>®</sup> SMART

+

Flow

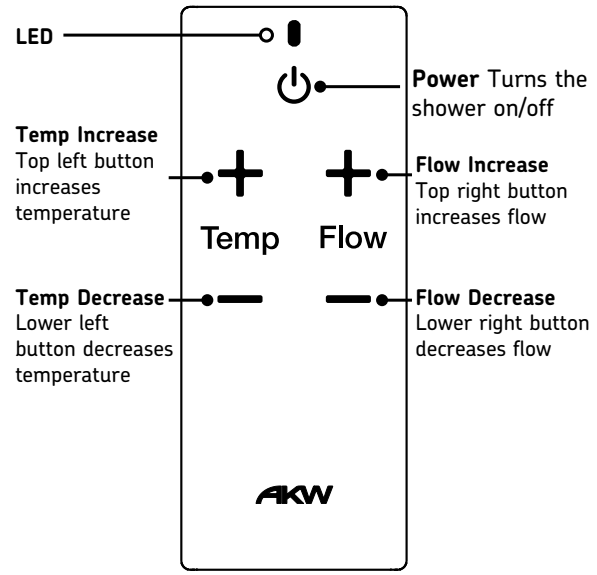
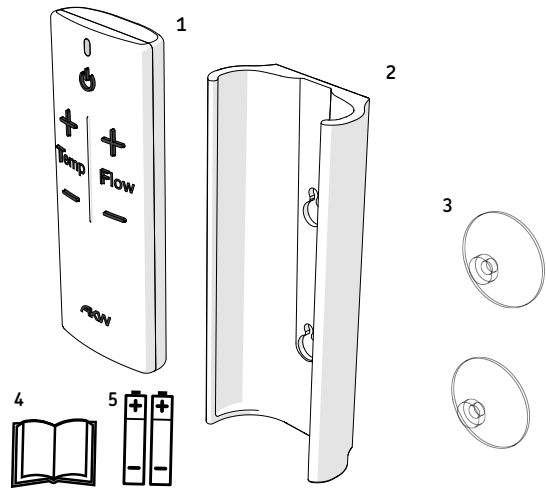
-

Patents Pending, Registered Design

i shower Remote Control Installation and Instruction Manual

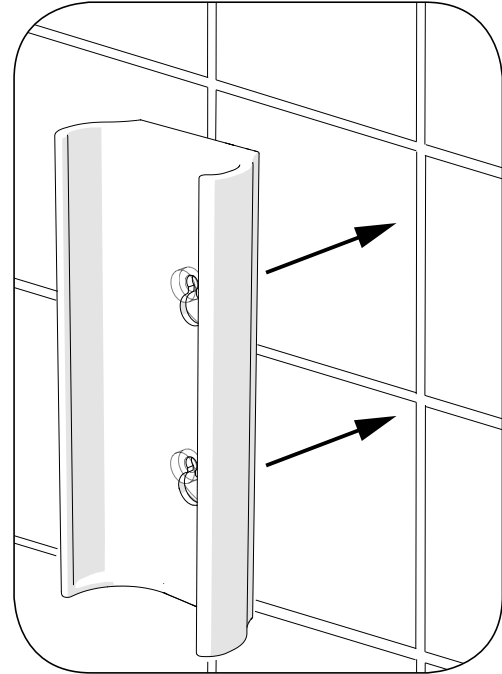
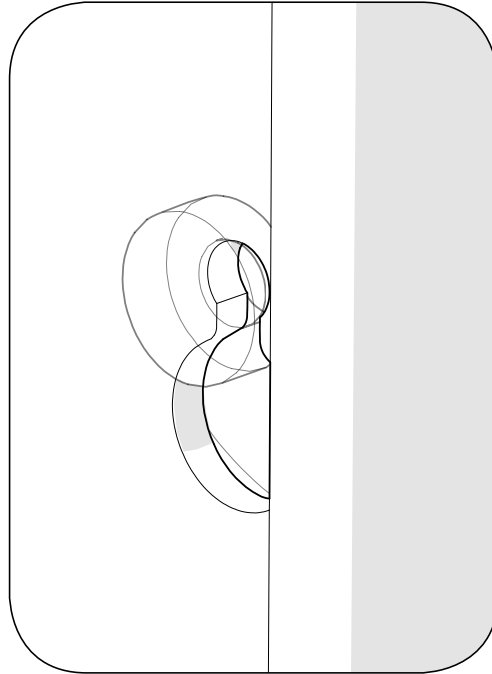
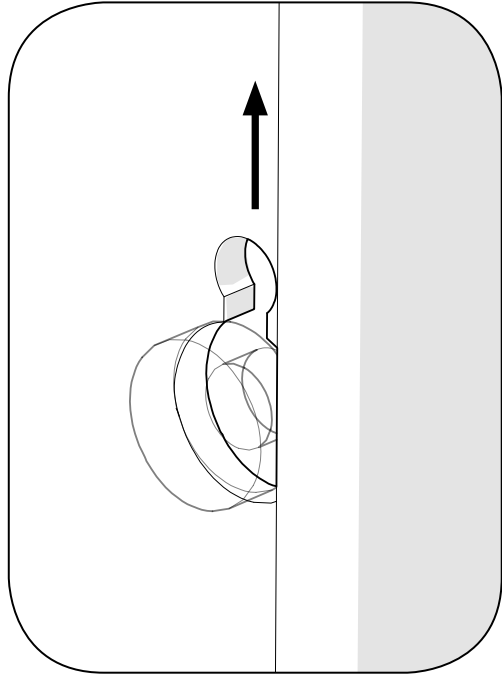
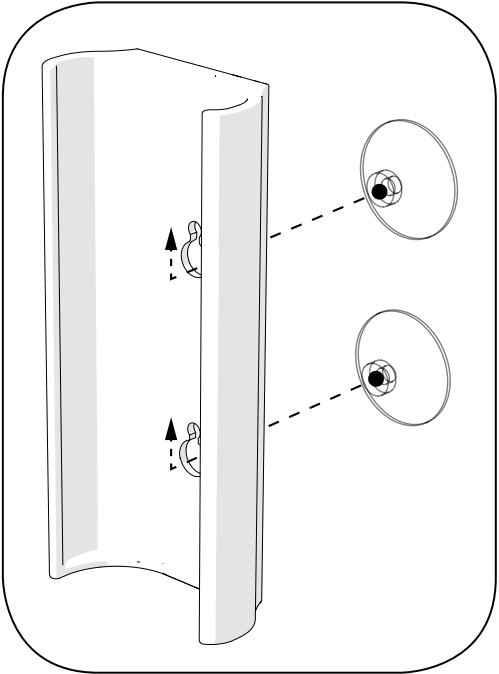
# Contents

Description	Quantity
1. Remote Control	1
2. Cradle	1
3. Suction Cups	2
4. Installation and Instruction Manual	1
5. AAA Batteries	2

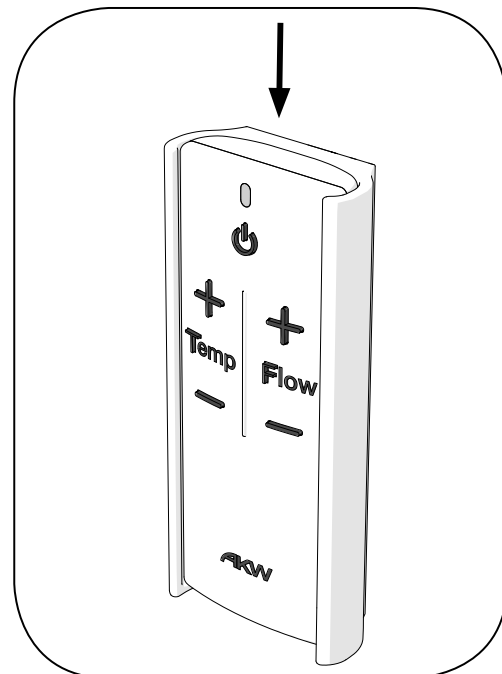
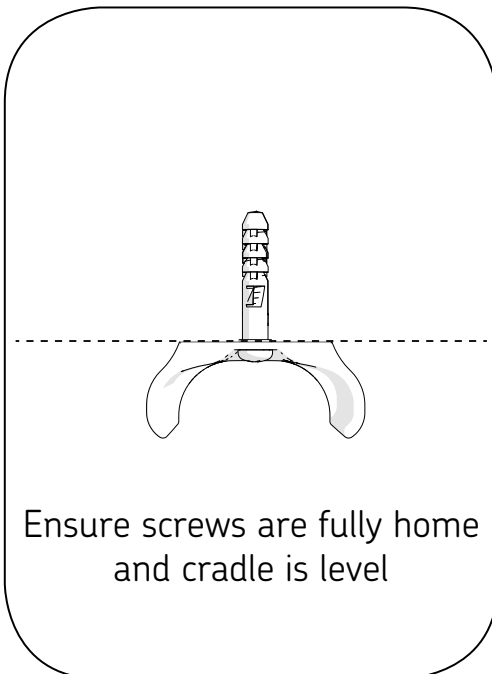
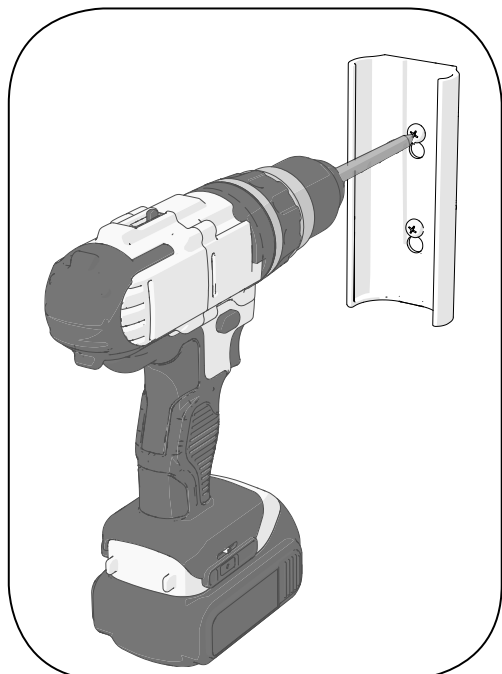
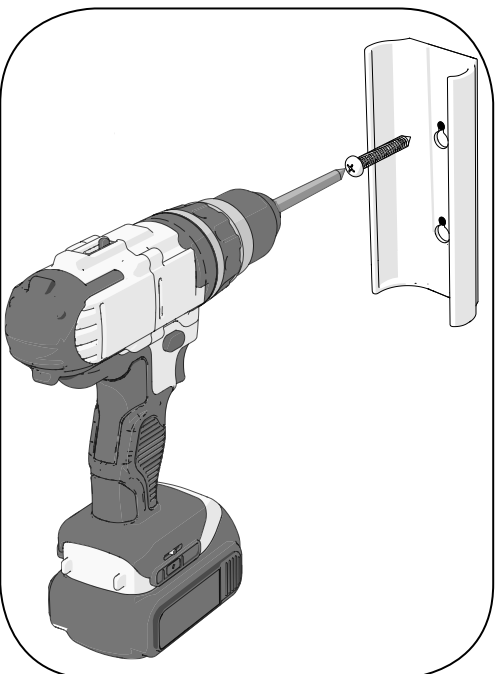
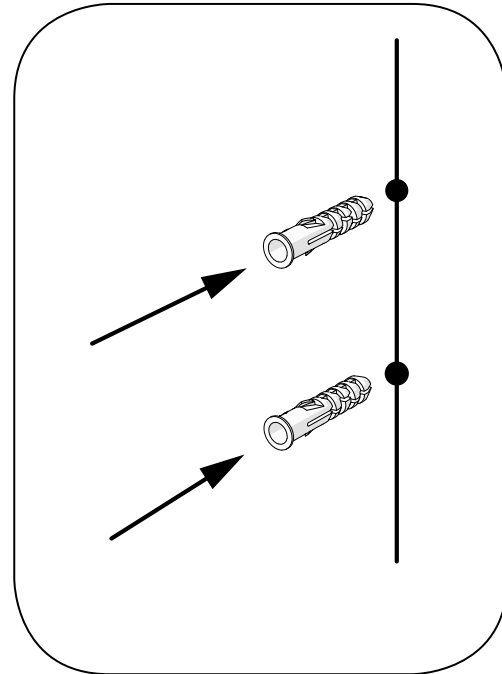
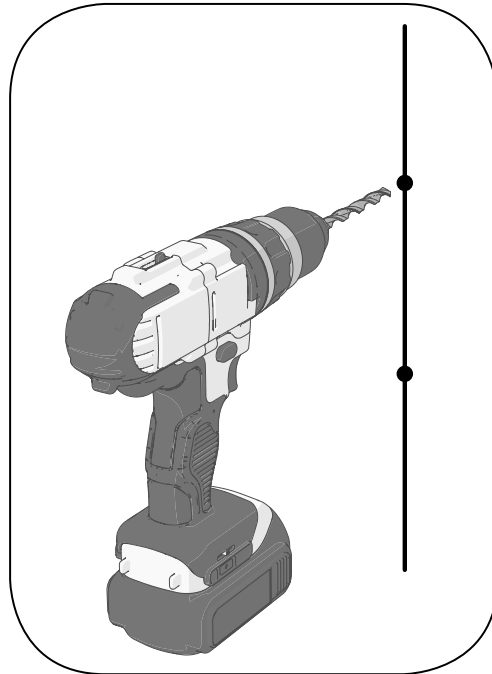
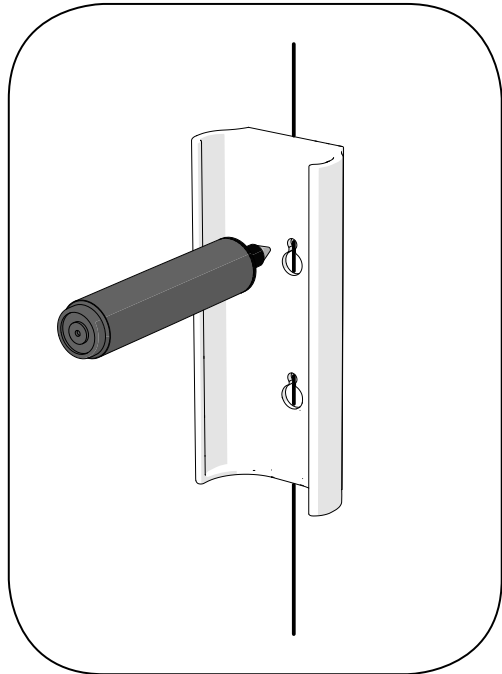
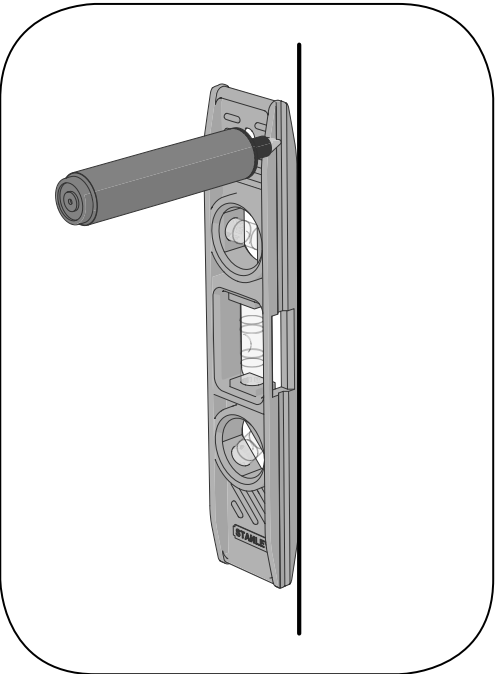


www.akw-ltd.co.uk

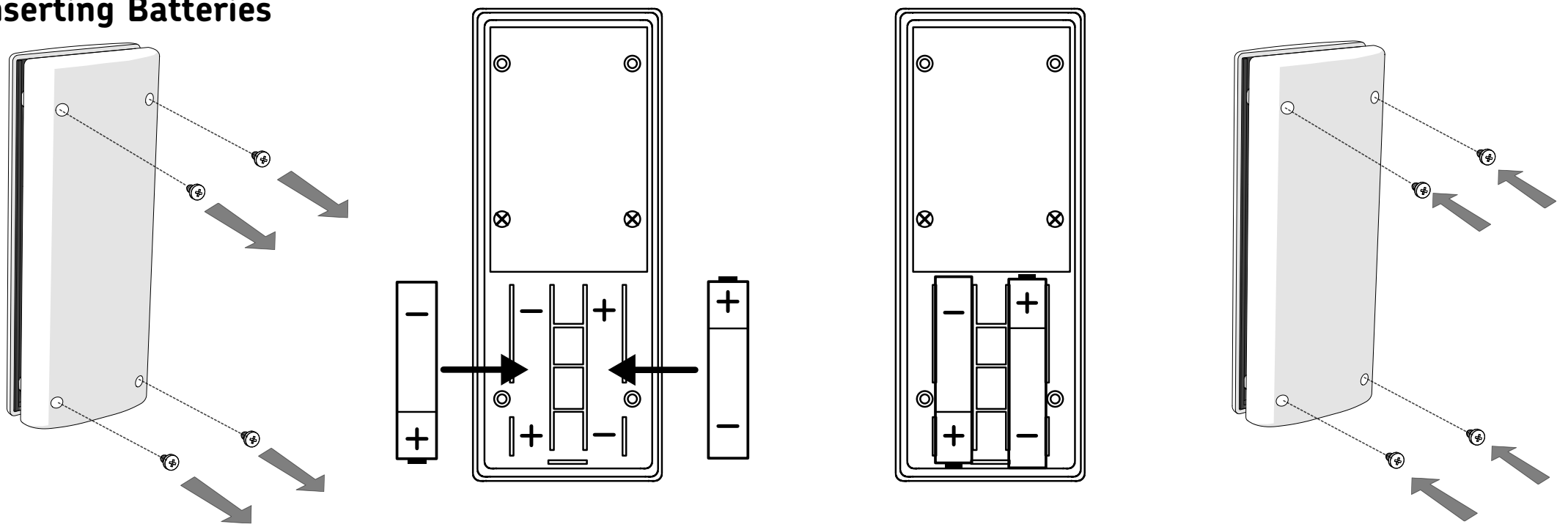
## Option 1



## Option 2



# Inserting Batteries



# Pairing

## Step 1

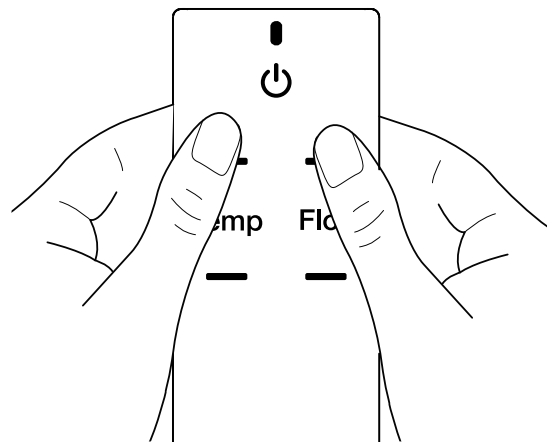
Switch on the mains power at the isolating switch. The Shower will now be in standby mode.

Press and hold the power button for 5 Seconds on the shower and release. Shower LED's will flash for 2mins when entered into pairing mode.

## Step 2

Within 2mins of pressing the shower, press the + Temp & + Flow buttons simultaneously for 5 seconds and release. Remote Control LED will do a single flash and this will now be paired with the shower.

Remote Control and Shower LED's will light up for 5 seconds and go off when pairing is complete.

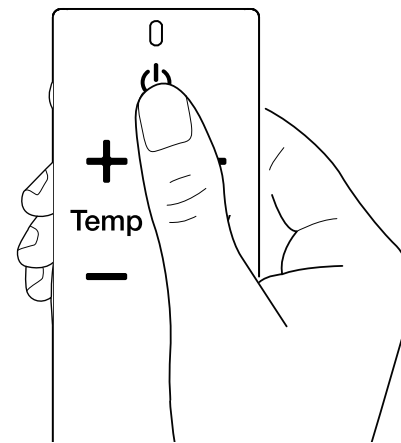


# Turning on the Shower

The Remote Control has a built in on/off safety control in case of accidental operation.

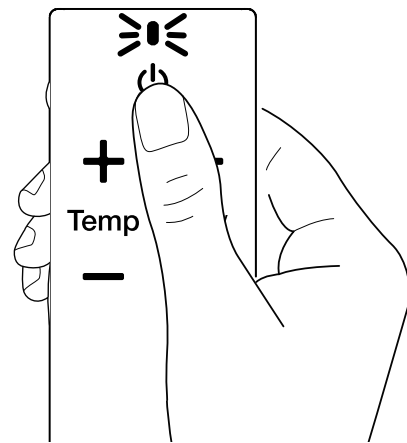
## Step 1

Press and hold the power button



## Step 2

Hold until LED turns off and release the power button. Feedback should be seen and/or heard and the shower will turn on. The Remote Control will now flash once in response to a single button press (if operating correctly).



# User Troubleshooting

Fault	Cause	Remedy
LED's not emitting	Batteries installed in the wrong orientation	Ensure + & - symbols are matched with the case. Follow pairing steps to re-connect.
LED flashes twice every 10 seconds	Batteries need replacing	Replace with AAA batteries. Ensure + & - symbols are matched with the case. Follow pairing steps to re-connect.
LED flashes 3 times on remote, but wont connect	Too far away from shower unit	Move closer to the shower unit
	Isolation switch turned off	Turn on Isolation switch
	Other iShower Remote Control or iShower App is being used with the shower on	Other user finishes showering and shower is in standby mode. You can now connect.

If the shower does not work as expected, switch off at the pull-cord or isolating switch and wait 30 minutes for the shower to reset, then switch back on again.

If this does not resolve the problem contact your local installer, if they cannot resolve the problem, they should contact AKW Technical Enquiries for assistance.

Orderline  
01905 823299

General Enquiries  
01905 823298

Technical Enquiries  
01905 560219  
technicalenquiries@akw-ltd.co.uk

Fax  
01905 823297

Website  
www.akw-ltd.co.uk

Quotes & Orders Email  
orders@akw-ltd.co.uk

Enquiries Email  
sales@akw-ltd.co.uk

AKW, Pointon Way,  
Hampton Lovett,  
Droitwich Spa,  
WR9 0LR

