

## Electric Shower Heater – isure Shower

Issue 1 March 2015

### Product overview

Simple and stylish electric shower with mechanical temperature and flow controls and easy push power button.

### Care features

- + Contemporary styling with high gloss finish
- + Easy push power button maintaining temp/flow settings
- + Intuitive independent temperature and flow controls
- + Maximum water temperature protection
- + Rounded surfaces and edges for safety
- + 8.5kw and 9.5kw options available
- + Co-ordinating white shower kit with 1.5m smooth hose, 650mm white and chrome riser rail and handset

### Installer features

- + Super-quick and easy installation
- + 8 electrical / 8 water entry points
- + Dual power blocks for left or right hand wiring
- + Retro-fit footprint covers most manufacturers' models
  - No re-tiling required
  - Existing cable & pipework compatible
- + 8.5kW / 9.5kW options
- + Comprehensive technical after-sales support



### Guarantee and approvals



Intertek



# Electric Shower Heater – isure Shower

Issue 1 March 2015

## Product specification

### Plumbing Supply

Supply Source	Mains Pressure Cold Water Only
Minimum Dynamic Pressure	50 kPa (0.7 Bar)
Maximum Static Pressure	1000 kPa (10 Bar)
Optimal Minimum Dynamic Pressure	100 kPa (1 Bar) (recommended to ensure high performance)
Maximum Inlet Temperature	28°C
Minimum Inlet Temperature	3°C
Inlet Connection	15mm push-fit
Outlet Connection	1/2" BSP Male Thread Fitting

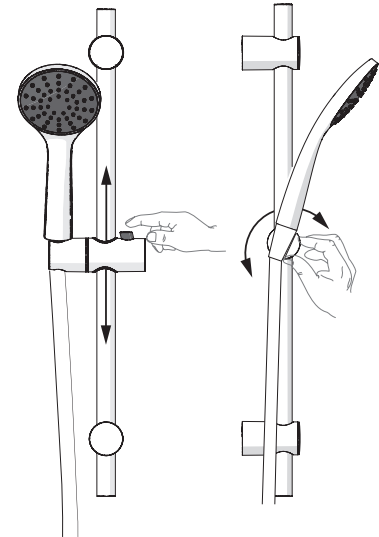
### Electrical Supply

Nominal Rating at 240V	240 V 9.5kW & 8.5kW
Supply Fuse/Circuit Breaker	(9.5kW 40/45A) & (8.5kW 35/40A)
Residual Current Device (RCD)	30 mA (must be fitted)
Supply Cable	Refer to current wiring regulations and BS 7671 to determine minimum cable size. No larger than 10mm <sup>2</sup>
Isolation Switch (e.g. Pull Cord)	45 Amp Double Pole with 3mm Contact Separation

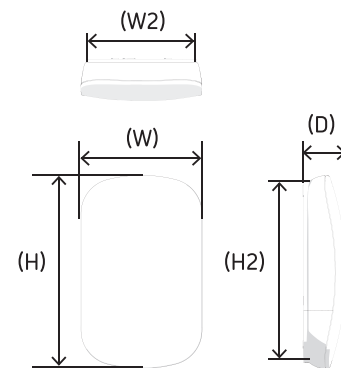
### Physical

Height (H)	380mm
Width (W)	230mm
Depth (D)	85mm
Footprint Height (H2)	345mm
Footprint Width (W2)	210mm
Water Ingress Rating	IPX4
Water and Cable Entry Points	Top, Bottom or Back

### Riser Rail



### Dimensions



## Electric Shower Heater – isure Shower

Issue 1 March 2015

### Product codes

29021	isure White 8.5kW Non-Thermostatic Electric Shower + Std Kit
29022	isure White 9.5kW Non-Thermostatic Electric Shower + Std Kit

### Entry points

